

Netusage Distributor Lite

Affordable NetFlow Monitoring for Optimal Network Performance

Netusage Distributor is a hardware appliance that accepts NetFlow from multiple data sources and distributes that data to multiple destinations. There is NO limitation as to the number of input sources and output destinations.

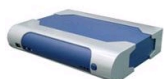
Netusage Distributor Lite the perfect complement to NetFlow – enabling you to monitor the true performance of your entire network, without compromise or restriction. Netusage Distributor Lite overcomes the restrictions imposed by Cisco's latest IOS release which can export NetFlow to two destinations, but increases the resources required relating to the router's memory and CPU usage.

Operating in Standalone Mode, Netusage Distributor Lite overcomes the Cisco barriers and enables NetFlow to be relayed to previously difficult or inaccessible configurations:

- § Multiple (i.e. more than two) collectors
- § NetFlow relay through firewall environment without compromising security
- § Encrypted VPN, such as IPSEC tunnel on serial and NO encryption on Ethernet

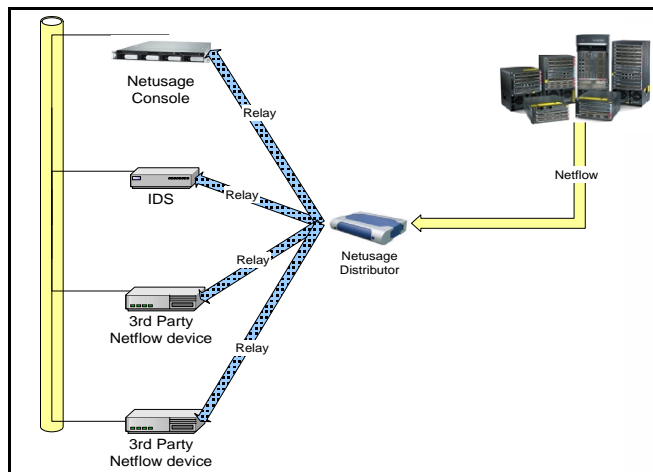
Netusage Distributor Lite at a Glance

- § Hardware appliance with no moving parts
- § Accept NetFlow from unlimited multiple sources and distribute to unlimited multiple destination
- § Receive and transmit up to 10K packets per second, without dropping packets
- § Compact: Chassis (mm) 275(w) x 175(d) x 50 (h)
- § Supports Cisco NetFlow V1, 5, 7 and 8

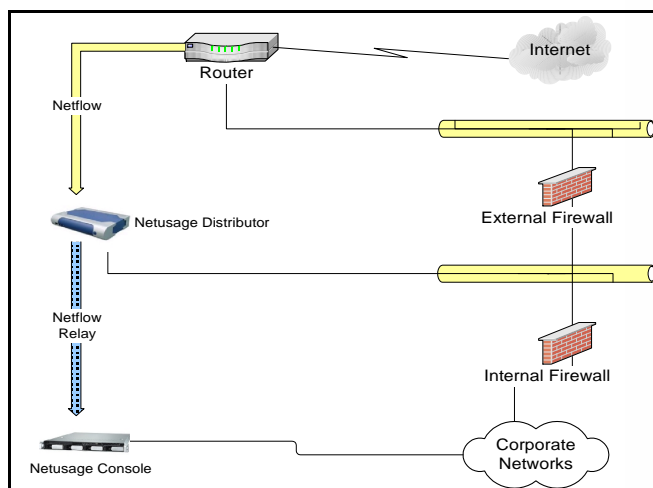


For more information visit www.netusage.net.

Multiple Collectors



NetFlow Relay for Firewall Infrastructure



NetFlow Relay for VPN e.g. IPsec tunnels

